

Betriebsanleitung  
 Operating Instructions  
 Instructions de service  
 Istruzioni d'uso  
 Handleiding  
 Instrucciones para el manejo  
 Manual de instruções  
 Naudojimosi instrukcija  
 Kasutusjuhend  
 Lietošanas instrukcija  
 Οδηγίες χρήσης  
 取扱説明書  
 사용설명서

Driftsinstruks  
 Driftsinstruktioner  
 Käyttöohje  
 Driftsvejledning  
 Instrukcja obsługi  
 Kezelési útmutató  
 Návod k obsluze  
 Navodilo za uporabo  
 Návod na obsluhu  
 El Kitabi  
 Инструкция по эксплуатации  
 使用说明书

KDT 3.80

2006/42/EG

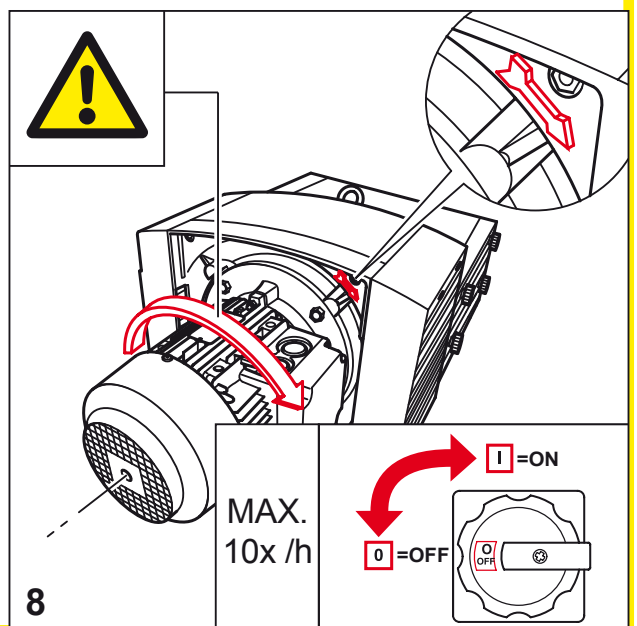
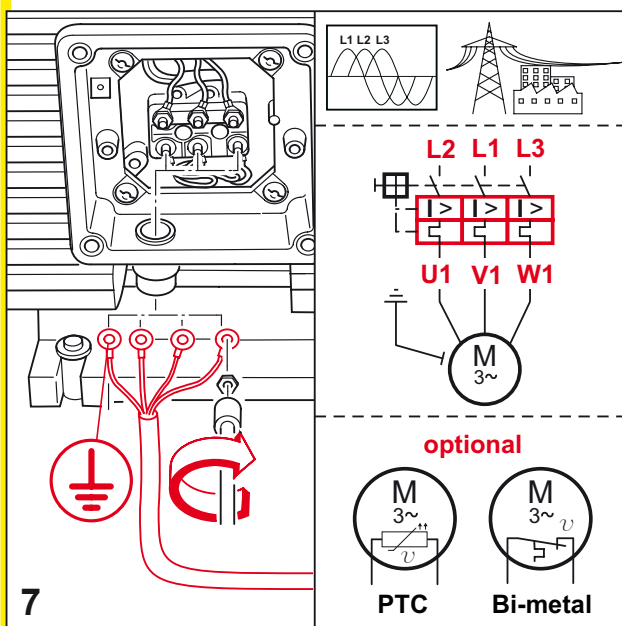
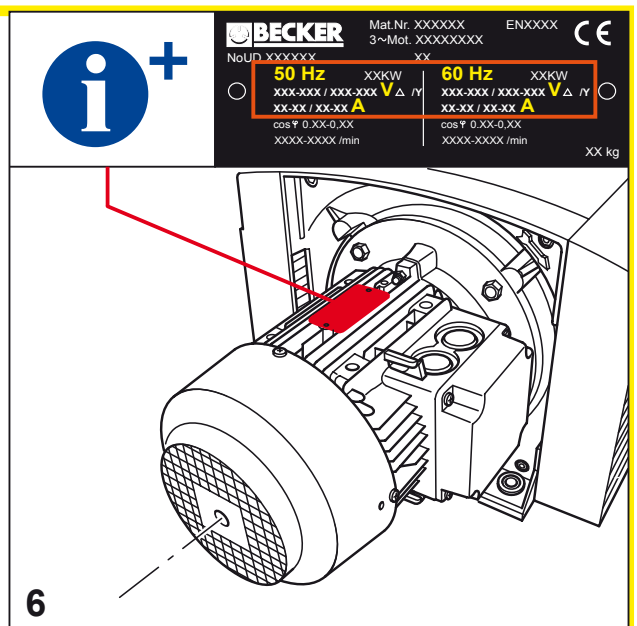
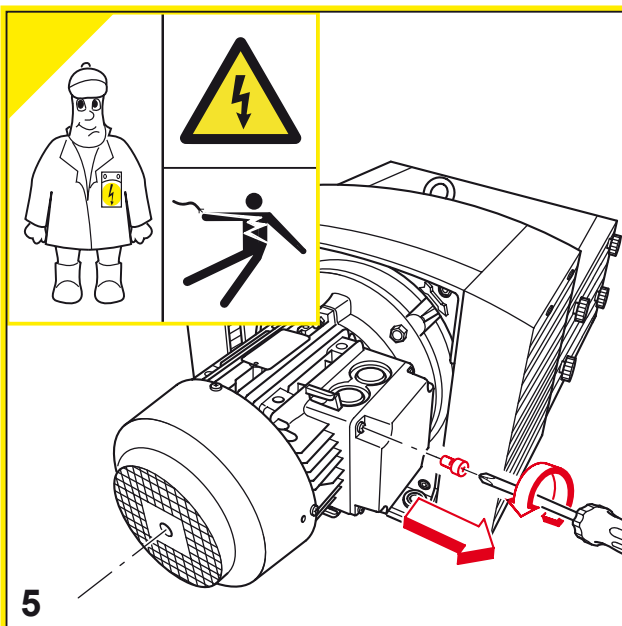
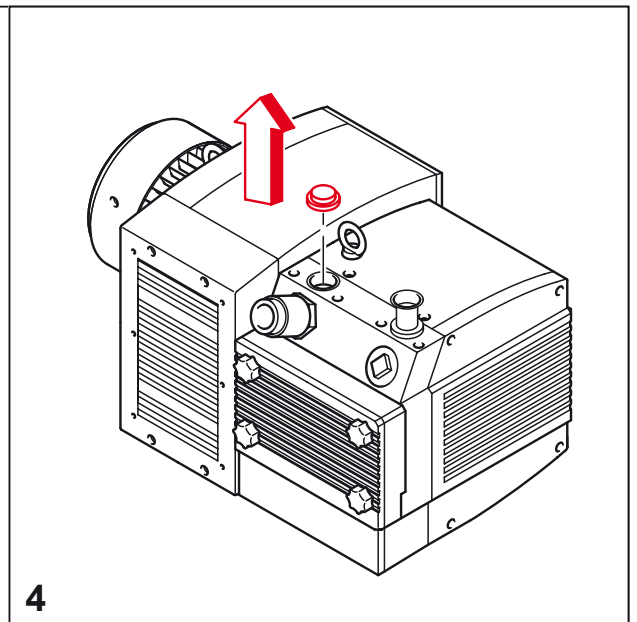
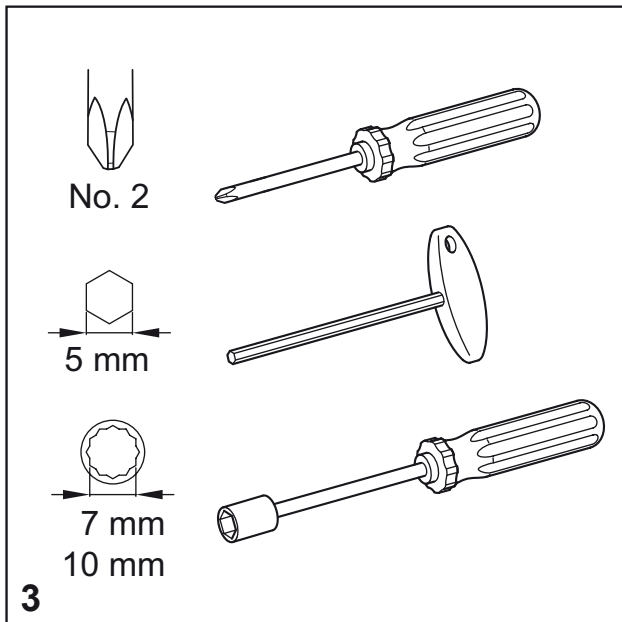


DIN EN ISO 14001:2005

DIN EN ISO 9001  
001929 QM

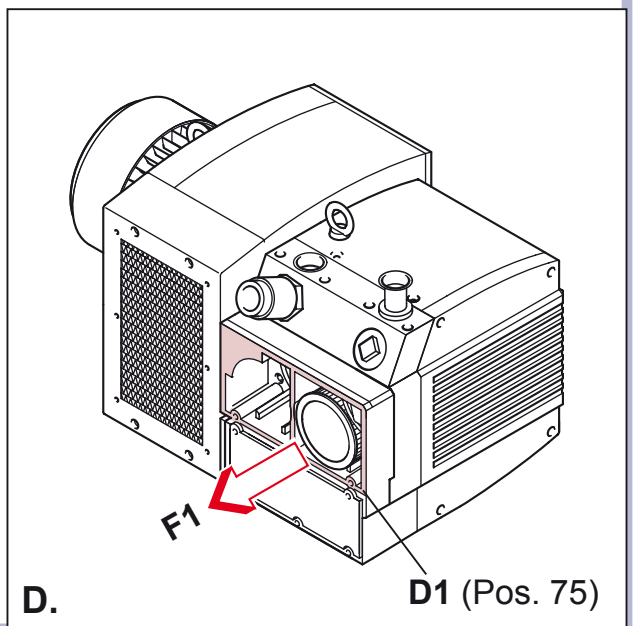
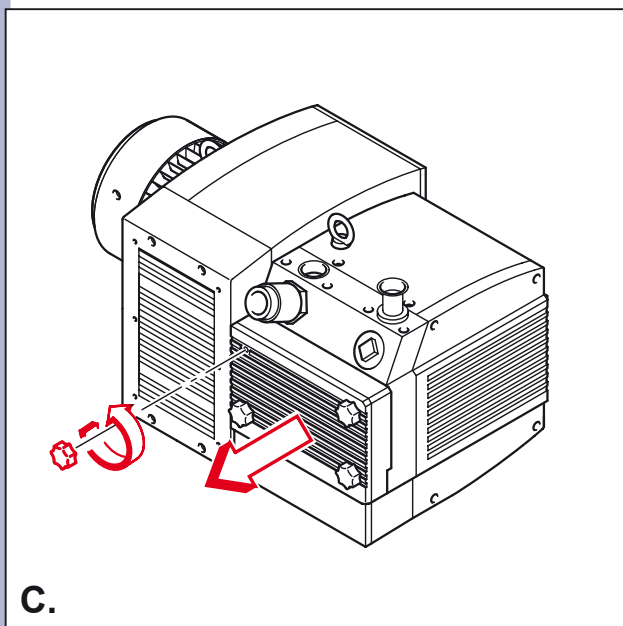
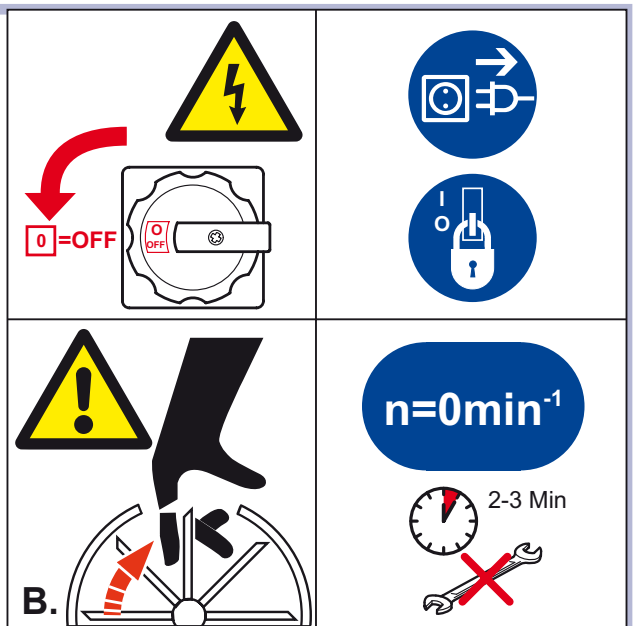
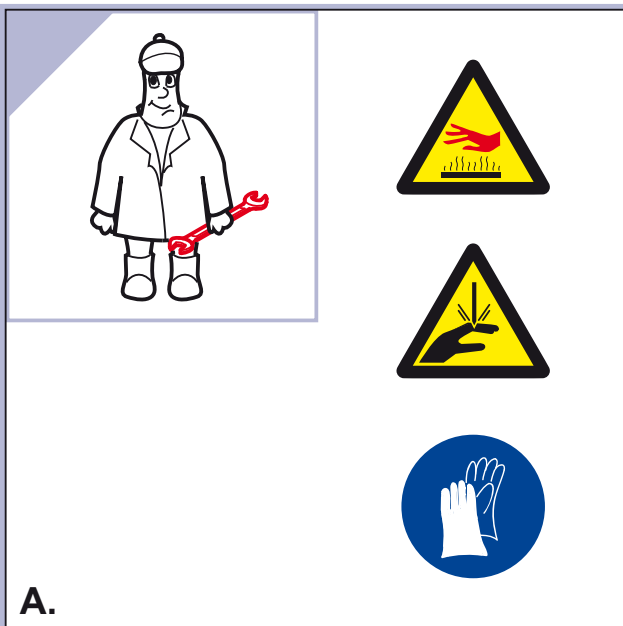
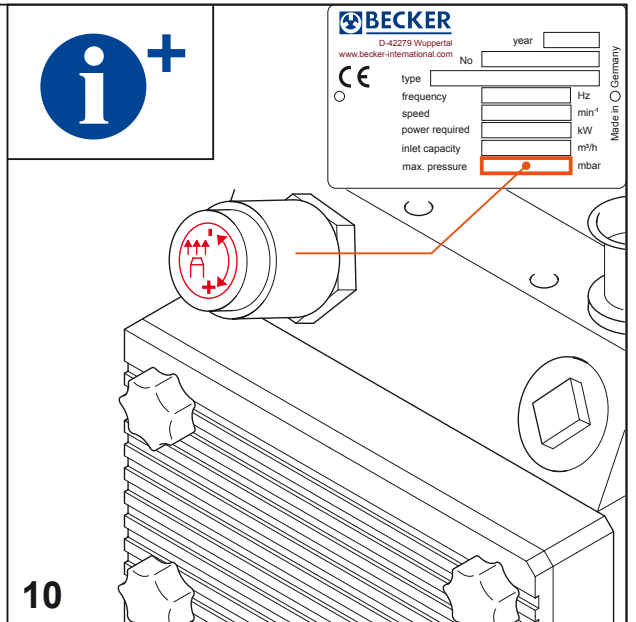
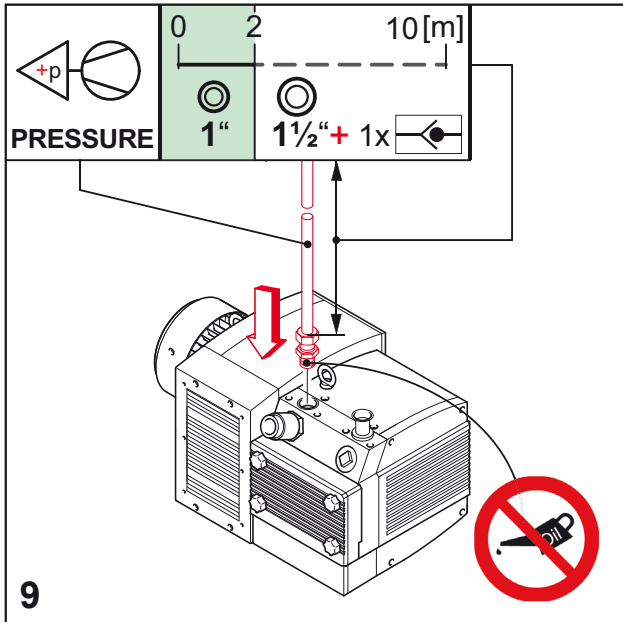
			<p><b>MAX. PRESSURE</b></p>		mbar
				<p><b>MAX.</b></p>	
<p><b>AIR</b></p>			<p>DIN EN ISO 3744</p>	<p> <math>L_{pA} = 74 \text{ dB(A)} - 50\text{Hz}</math>  <math>L_{pA} = 76 \text{ dB(A)} - 60\text{Hz}</math>  <math>K_{pA} = 3 \text{ dB(A)}</math> </p>	

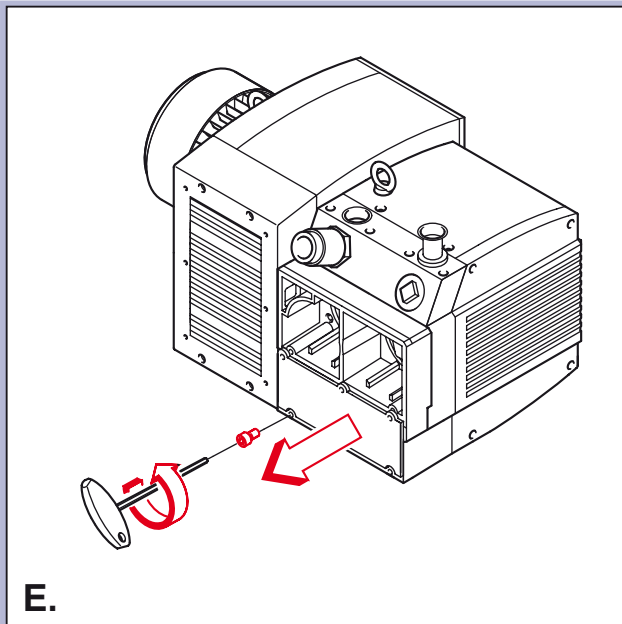
			<p>73-85 kg 161-187 lbs</p>	<p> <math>A &gt; 100\text{mm}</math>  <math>A &gt; 4"</math> </p>	<p> <math>&gt; 5^\circ\text{C}/41^\circ\text{F}</math>  <math>&lt; 45^\circ\text{C}/113^\circ\text{F}</math> </p>	<p>max. 90%</p>	<p>max. 800m</p>
<p>1</p>				<p>2</p>			



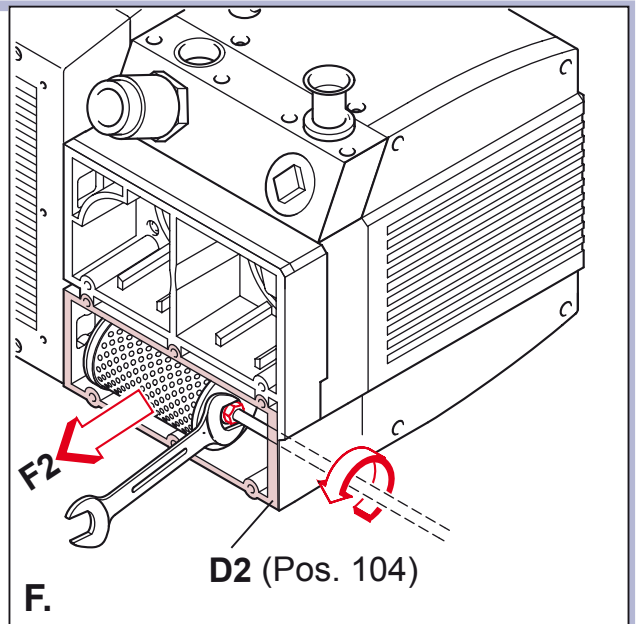
**i+**

<b>BECKER</b>		Mat.Nr. XXXXXX	ENXXXX	CE
No. Un. XXXXXX		3~Mot. XXXXXXXX		
<b>50 Hz</b>	XXXKW	<b>60 Hz</b>	XXXKW	
XXX-XXX / XXX-XXX V Δ / Y		XXX-XXX / XXX-XXX V Δ / Y		
XX-XX / XX-XX A		XX-XX / XX-XX A		
cos φ 0.XX-0.XX		cos φ 0.XX-0.XX		
XXXX-XXXX /min		XXXX-XXXX /min		XX kg



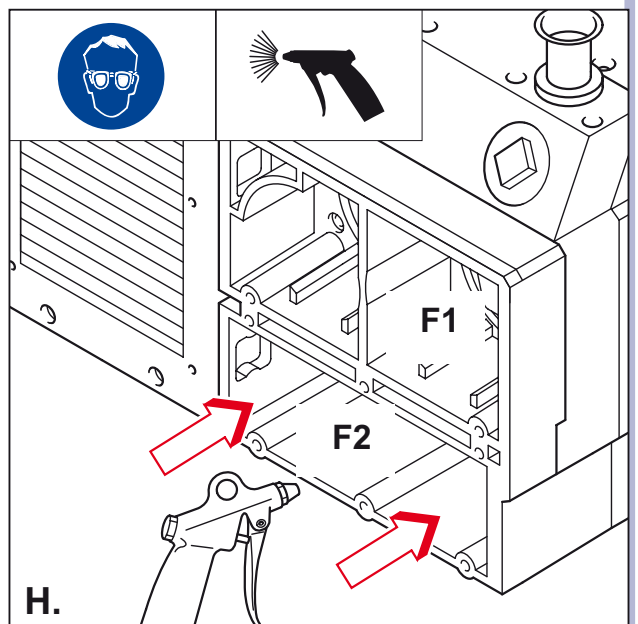


E.

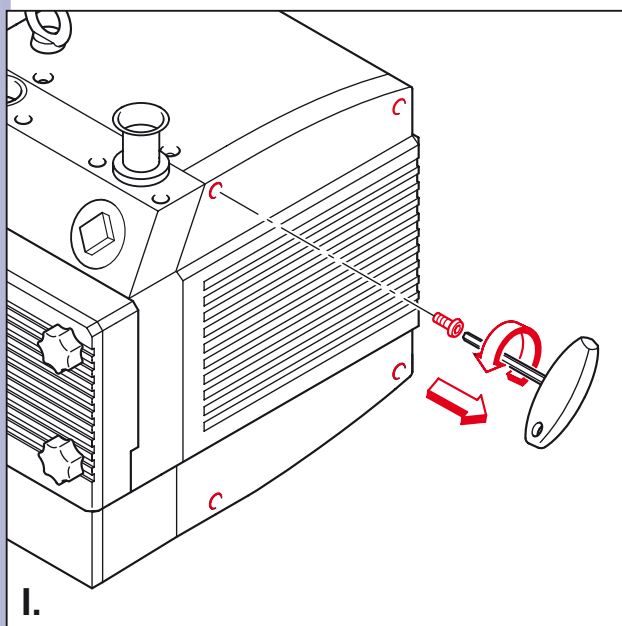


F.

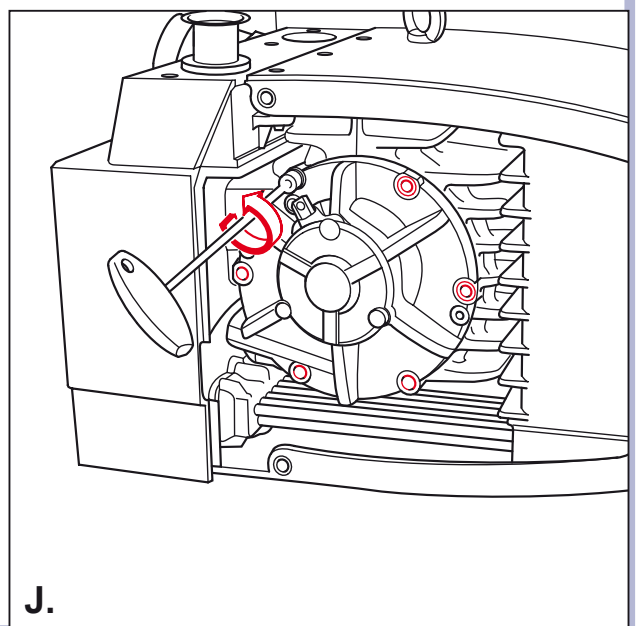
<p><b>F1</b> (standard) No.: <b>909507</b></p>	<p><b>F1*</b> (polyester) KDT 3.80/6 No.: <b>909587</b></p>	<p><b>F2</b> (standard) No.: <b>909510</b></p>
	<p>Satz / Kit Pos.: 20, 24, 62, 75, 76, 85, 104, 125, 126, 127, 146, 288 No.: <b>549000 21100</b></p>	



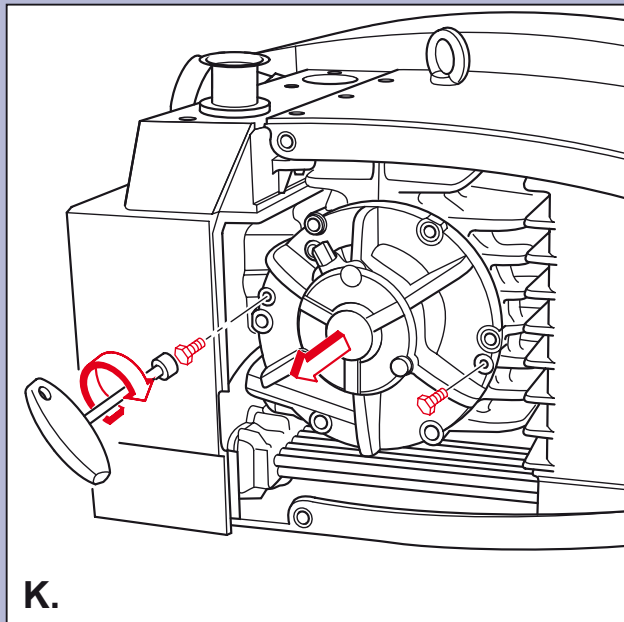
H.


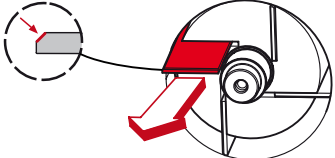
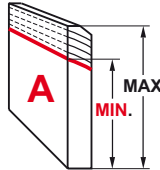




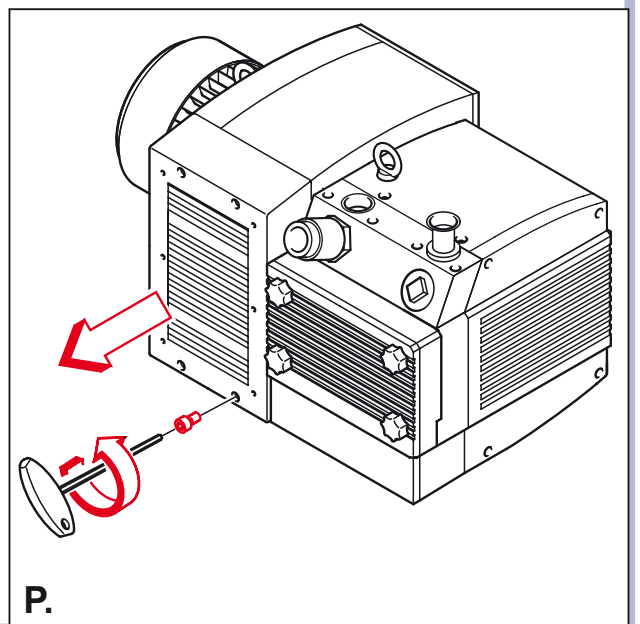
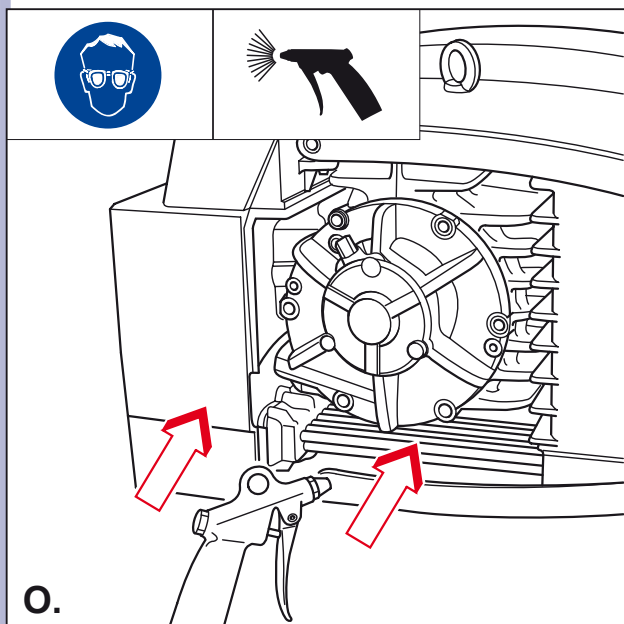
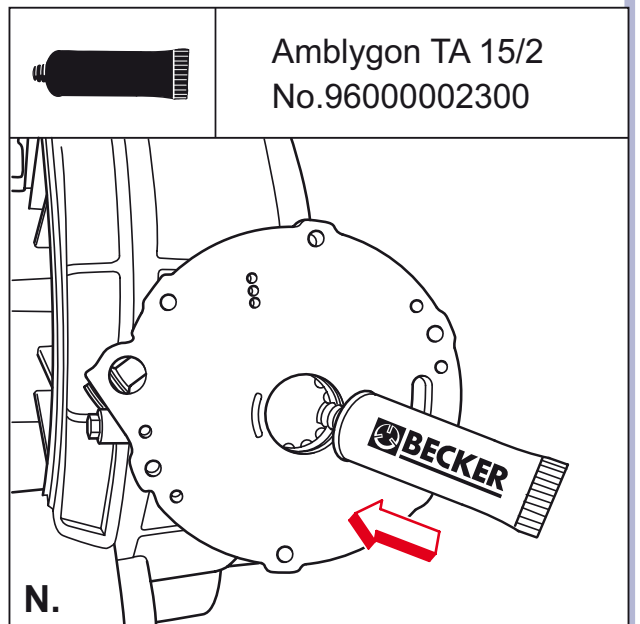
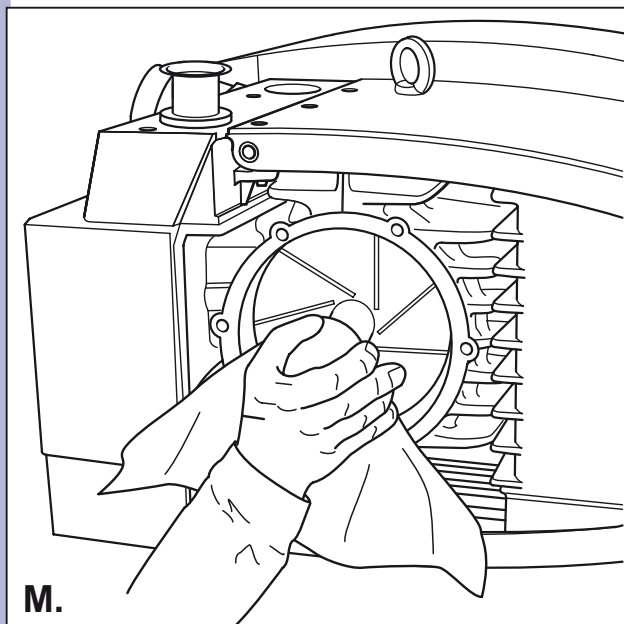
I.

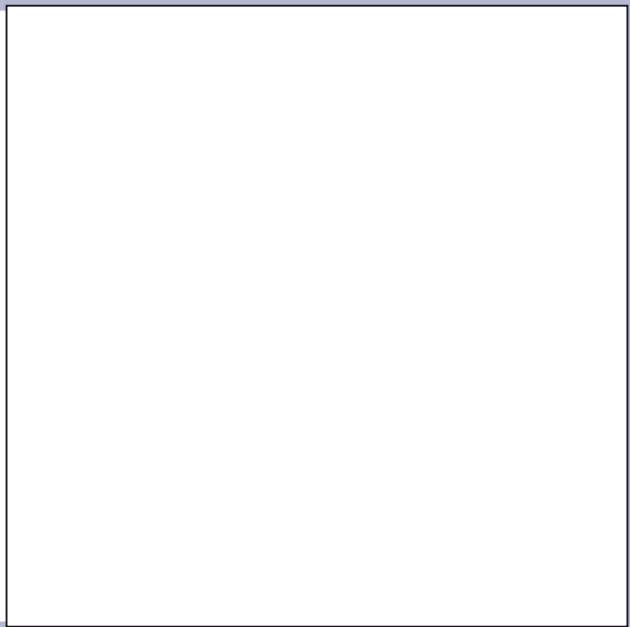
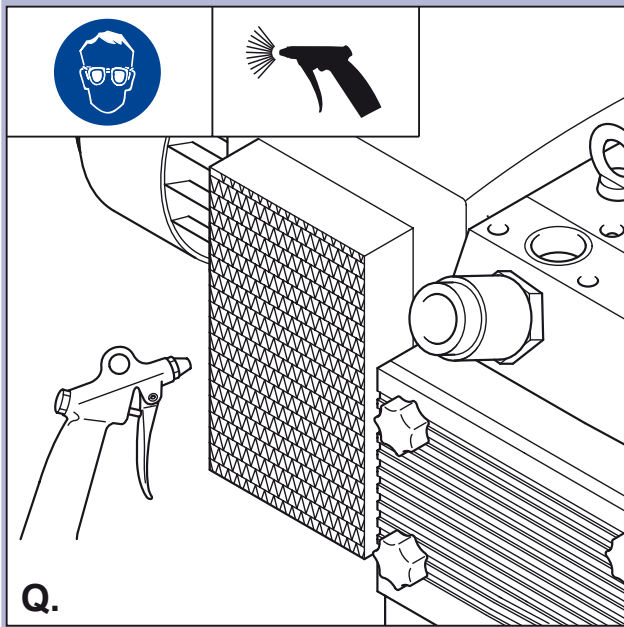


J.



 <b>3000 h</b>	
	<p><math>A_{MIN} &gt; 26mm</math></p> <p><math>A_{MIN} &lt; 26mm</math></p>  
<p>KDT 3.80 (standard) → No. 90133000004 (SET)          KDT 3.80/0-52 → No. 90137900004 (SET)          KDT 3.80/6 → No. 90137900004 (SET)</p> <p><b>L.</b></p>	





[www.becker-international.com](http://www.becker-international.com)



Gebr. Becker GmbH  
 Hölker Feld 29-31  
 D-42279 Wuppertal  
[info@becker-international.com](mailto:info@becker-international.com)

**SERVICE**  
[www.becker-international.com](http://www.becker-international.com)  
 Sales and service network